

**Kol. Opis**

1 Grundfos ALPHA1 L 25-60 N 180 is a high-efficiency circulator pump with permanent-magnet motor (ECM technology).



Paznja! Slika proizvoda se može razlikovati od stvarnog proizvoda

Proizvodni broj: [99160594](#)

The pump features three control modes; radiator heating mode, underfloor heating mode and constant curve/constant speed.

Furthermore, the speed can be controlled by a low-voltage PWM (Pulse Width Modulation) signal.

The pump has a ceramic shaft and radial bearings, carbon thrust bearing, stainless-steel rotor can, bearing plate and rotor cladding, composite impeller, all of which contribute to long life, and the pump is self-venting, which contributes to easy commissioning as well as simple selection of control mode.

The compact design featuring pump head with integrated control box and control panel fits into most common installations as well as boilers.

The pump and motor form an integral unit without shaft seal. The pump is of the wet-runner design. This means the bearings are lubricated by the pumped liquid. These constructions ensure maintenance-free operation.

The pump housing is made of stainless steel, which, when used in domestic hot-water systems, avoids corrosion.

The motor is a synchronous permanent-magnet rotor/compact-stator motor. The pump controller is incorporated in the control box, which is fitted to the stator housing and connected to the stator via a terminal plug.

Features ALPHA1 L

- Three constant curves/constant speed.
- Radiator heating mode.
- Underfloor heating mode.
- PWM profile for heating applications (profile A). The PWM signal is a method for generating an analog signal using a digital source.
- Energy-optimised, complies with the ErP directive
- Unblocking screw, accessible from the front of the control box.
- Runs reliably and efficiently under even the most demanding conditions
- Adjustable and flexible installer plug, with two possible cable gland positions.

Tečnost:

Dizana tečnost: voda  
 Raspon temperature tečnosti: 275 .. 368 K  
 Selected liquid temperature: 333 K  
 Gustina: 983.2 kg/m<sup>3</sup>

Tehnički:

TF klasa: 95  
 Saglasnosti na natpisnoj pločici: CE,VDE,EAC

Materijali:

Kućište pumpe: Nerđajući čelik  
 EN 1.4308  
 ASTM ASTM A351-CF8  
 Rotor: Kompozitni/PES 30 % GF

Ugradnja:

**Kol. Opis**

Opseg temperature okruženja: 273 .. 328 K  
Maksimalni radni pritisak: 1000 kPa  
Dimenzija izlaza pumpe: G 1 1/2  
Nazivni pritisak: PN 10  
Dužina ugrađivanja: 180 mm

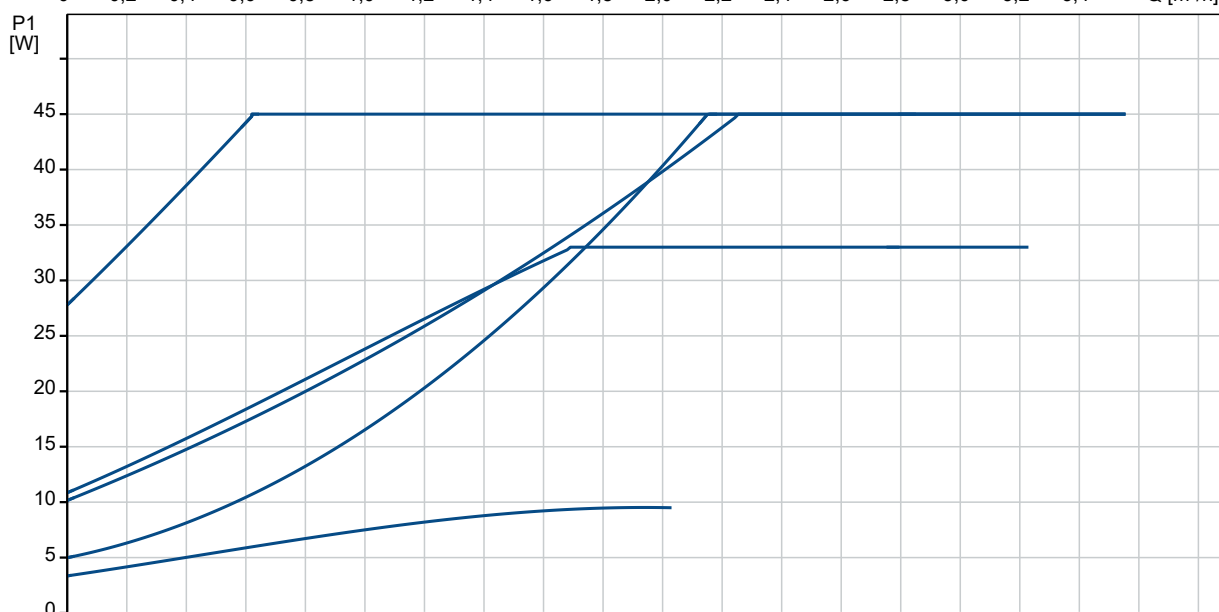
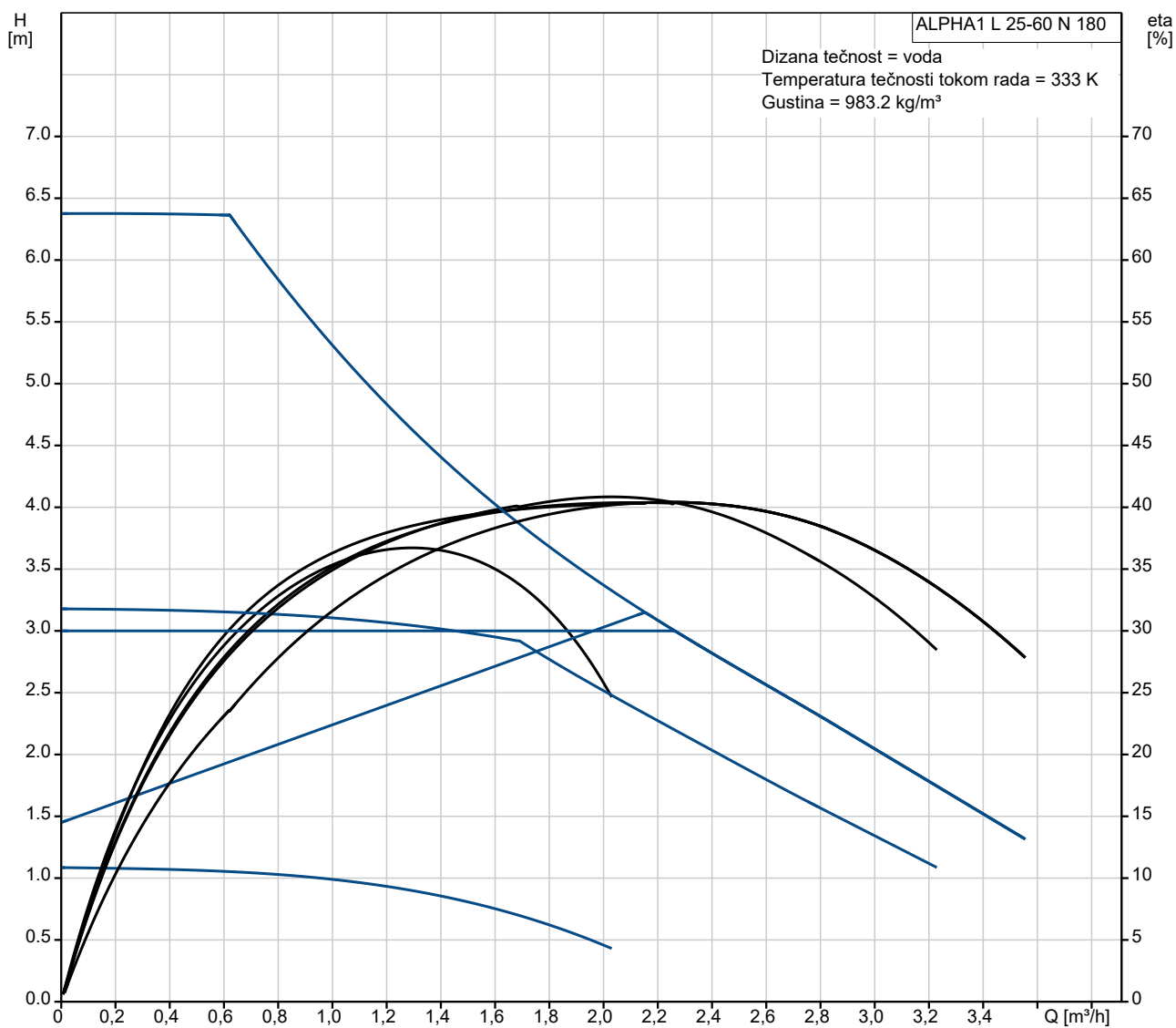
## Elektro podaci:

Potrebna snaga - P1: 4 .. 45 W  
Frekvencija struje: 50 / 60 Hz  
Potrebni napon: 1 x 230 V  
Maksimalna potrošnja struje: 0.05 .. 0.42 A  
Klasa zaštite (IEC 34-5): X4D  
Klasa izolacije (IEC 85): F

## Ostali:

Energija (EEI): 0.20  
Neto masa: 2.34 kg  
Bruto masa: 2.44 kg  
Transportna zapremina: 0.004 m<sup>3</sup>

## 99160594 ALPHA1 L 25-60 N 180



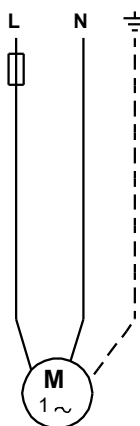
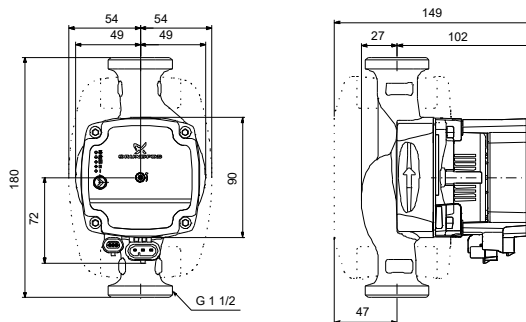
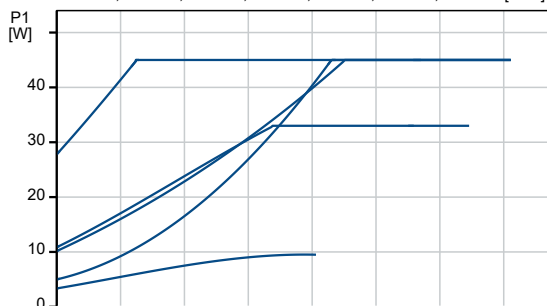
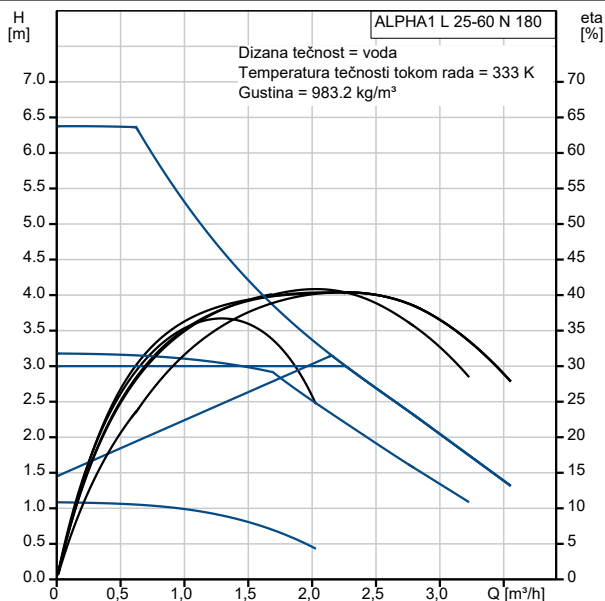
**Naziv firme:**

**Napravio:**

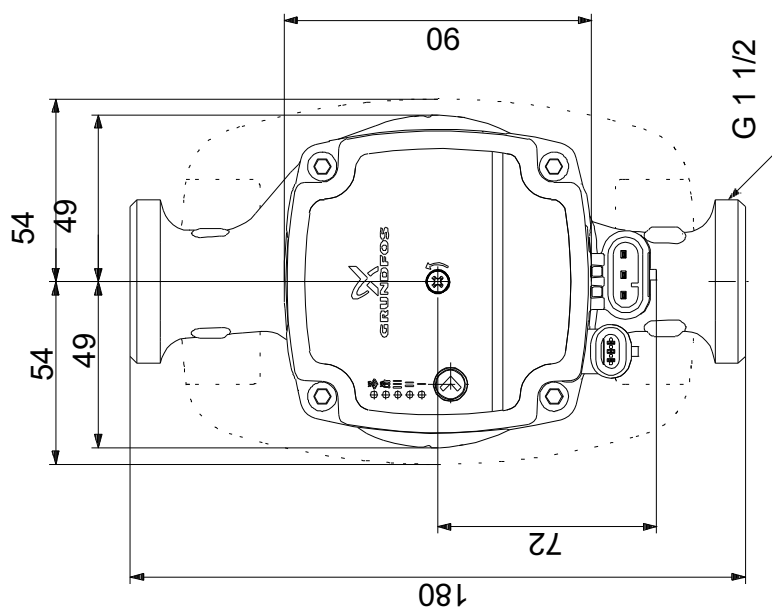
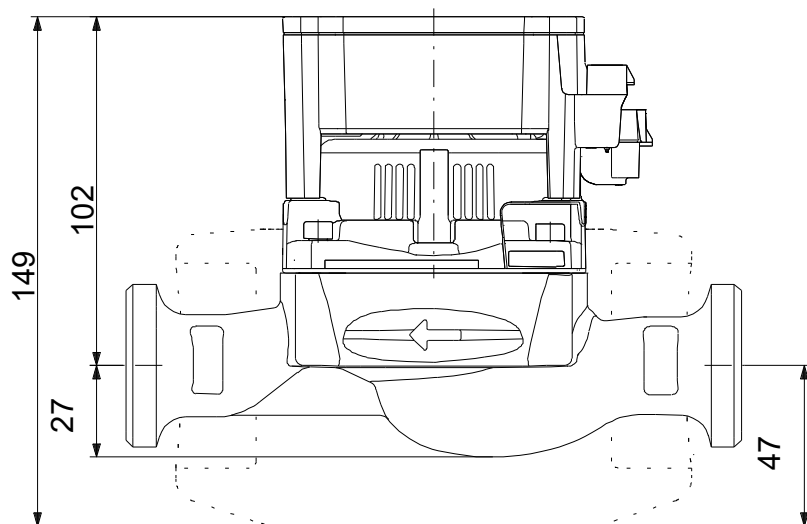
**Telefon:**

**Datum:** 14.4.2021.

Opis	Vrednost
<b>Opšte informacije:</b>	
Ime proizvoda::	ALPHA1 L 25-60 N 180
Šifra proizvoda:	99160594
EAN broj::	5712607862947
Cena:	
<b>Tehnički:</b>	
Visina max.:	6 m
TF klasa:	95
Saglasnosti na natpisnoj pločici:	CE,VDE,EAC
Model:	C
<b>Materijali:</b>	
Kućište pumpe:	Nerđajući čelik
Kućište pumpe:	EN 1.4308
Kućište pumpe:	ASTM ASTM A351-CF8
Rotor:	Kompozitni/PES 30 % GF
<b>Ugradnja:</b>	
Opseg temperature okruženja:	273 .. 328 K
Maksimalni radni pritisak:	1000 kPa
Dimenzija izlaza pumpe:	G 1 1/2
Nazivni pritisak:	PN 10
Dužina ugrađivanja:	180 mm
<b>Tečnost:</b>	
Dizana tečnost:	voda
Raspon temperature tečnosti:	275 .. 368 K
Selected liquid temperature:	333 K
Gustina:	983.2 kg/m <sup>3</sup>
<b>Elektro podaci:</b>	
Potrebna snaga - P1:	4 .. 45 W
Frekvencija struje:	50 / 60 Hz
Potrebni napon:	1 x 230 V
Maksimalna potrošnja struje:	0.05 .. 0.42 A
Klasa zaštite (IEC 34-5):	X4D
Klasa izolacije (IEC 85):	F
Zaštita motora:	NEMA
Termička zaštita:	ELEC
<b>Kontrole:</b>	
Položaj priklj. kutije:	6H
<b>Ostali:</b>	
Energija (EEI):	0.20
Neto masa:	2.34 kg
Bruto masa:	2.44 kg
Transportna zapremina:	0.004 m <sup>3</sup>

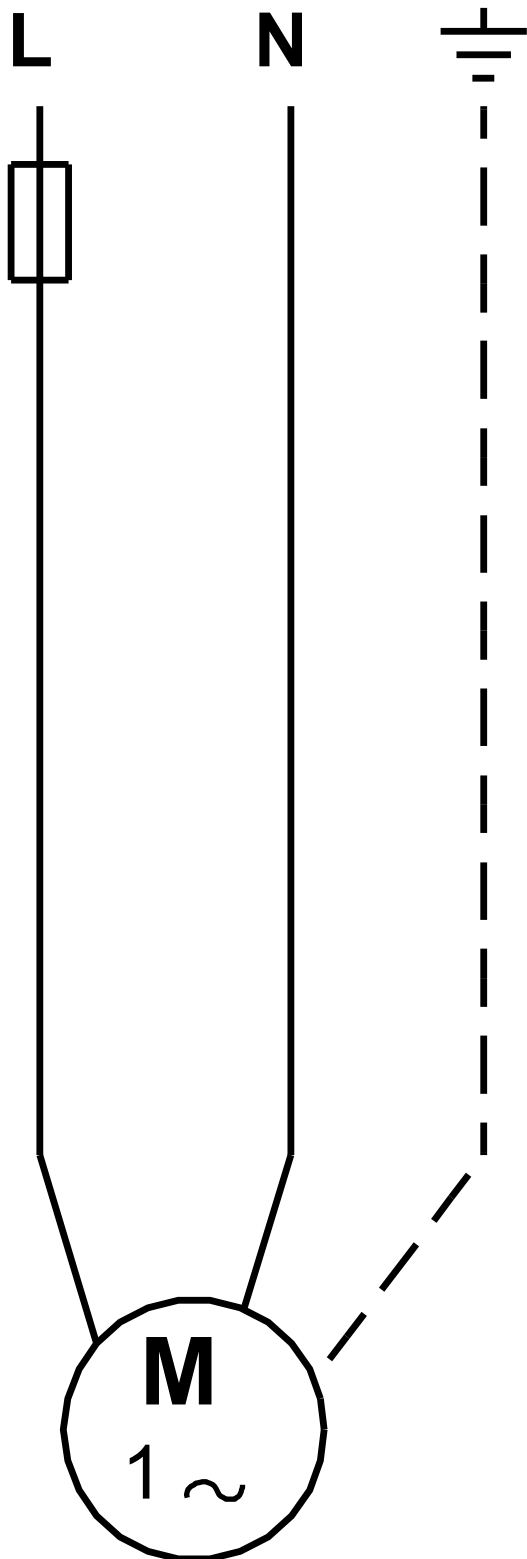


## 99160594 ALPHA1 L 25-60 N 180



Napomena! Sve jedinice su u [mm]ukoliko drugačije nije navedeno.  
Upozorenje: Ovaj pojednostavljeni dimenzioni crtež ne pokazuje sve detalje.

99160594 ALPHA1 L 25-60 N 180



Pažnja! Sve jedinice su u [mm] ukoliko nije rečeno drugačije.